

REV	DESCRIPTION	DESIGN	DATE
A0	NEW RELEASE	Steven	2019/00/00

Specifications:  
 Contact resistance:  $\leq 20m\Omega$   
 Insulation resistance:  $\geq 500M\Omega$   
 Rated voltage: 100V AC DC  
 Rated current: 2.0A AC DC (AWG#24)  
 Withstand Voltage: 500V AC/minute  
 Temperature Range:  $-40^{\circ}C \sim +105^{\circ}C$   
 Housing: LCP UL94V-0, Natural (Beige)  
 Contacts: Phosphor Bronze/Sn-plated  
 Solder Tabs: Brass/Sn-plated

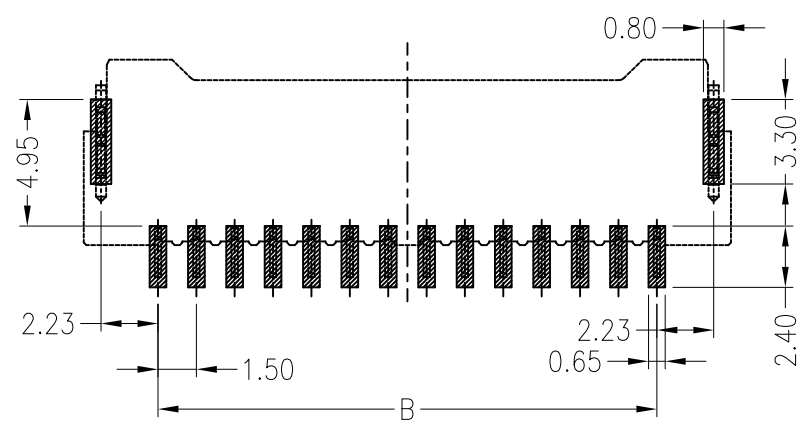
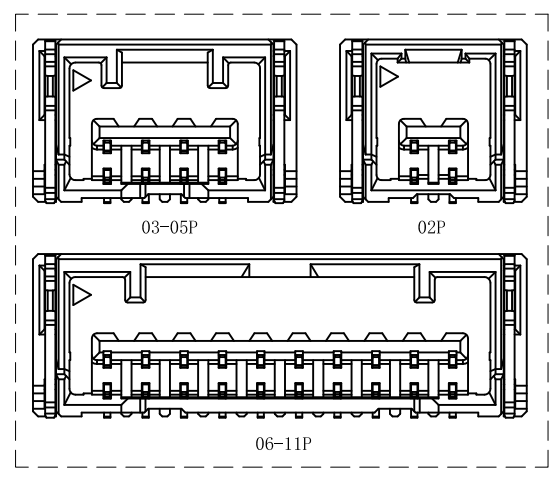
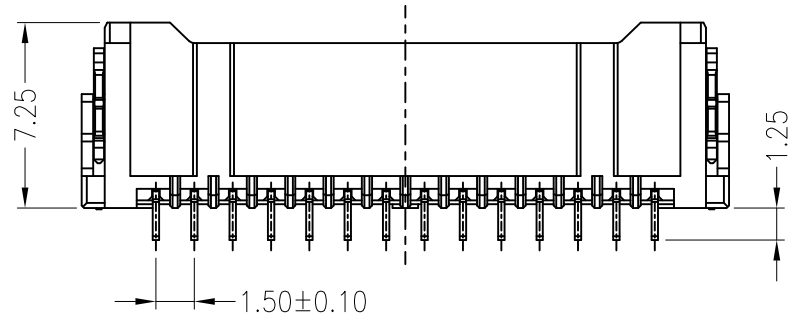
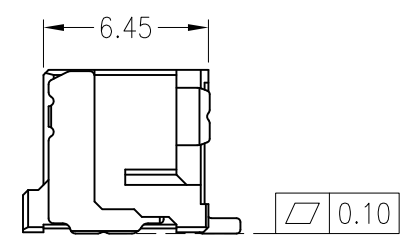
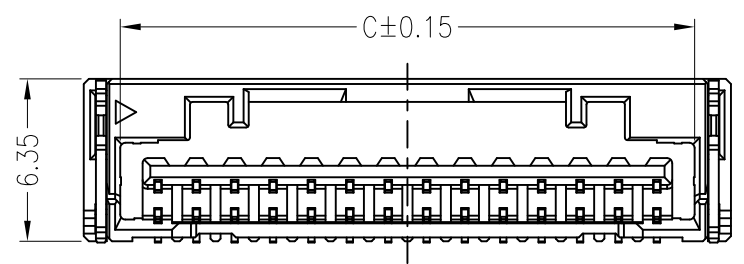
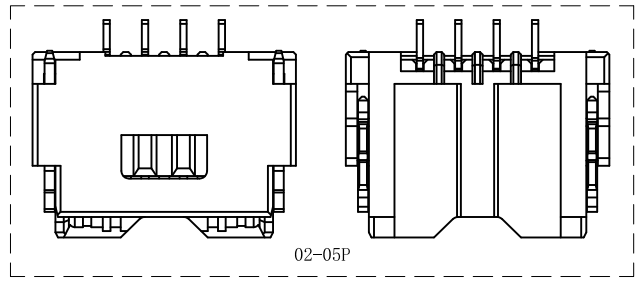
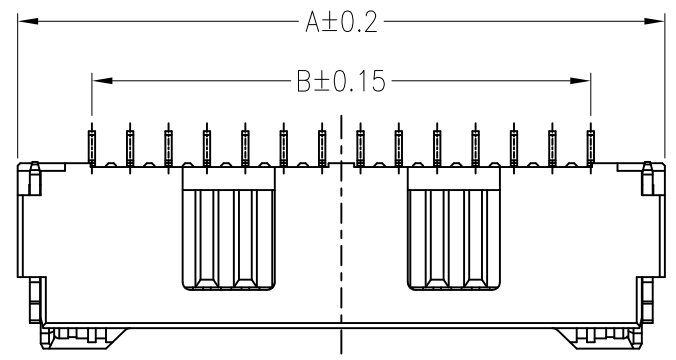
ORDER INFORMATION:

A1506AWR-\*\*-F4MB1-R

PART No. \_\_\_\_\_  
 No. OF CIRCUITS: \_\_\_\_\_  
 02~15  
 PLASTIC MATERIAL: \_\_\_\_\_  
 F4M=LCP(BEIGE)

PACKAGING:  
 R=REEL  
 P=PE  
 Metal code:  
 1=PhosphorBronze  
 PLATING:  
 B=Matte Sn

孔位	尺寸	A	B	C	孔位	尺寸	A	B	C
2P		7.30	1.50	4.45	9P		17.80	12.00	14.95
3P		8.80	3.00	5.95	10P		19.30	13.50	16.45
4P		10.3	4.50	7.45	11P		20.80	15.00	17.95
5P		11.8	6.00	8.95	12P		22.30	16.50	19.45
6P		13.3	7.50	10.45	13P		23.80	18.00	20.95
7P		14.80	9.00	11.95	14P		25.30	19.50	22.45
8P		16.30	10.50	13.45	15P		26.80	21.00	23.95



PCB LAYOUT

**JKUN** 温州健坤接插件有限公司  
 WENZHOU JKUN CONNECTOR CO.,LTD.

GENERAL TOLERANCE		USE:
X. $\pm 0.50$	X. $\pm 5^{\circ}$	CUSTOMER
X.X $\pm 0.30$	X.X $\pm 2^{\circ}$	APPD: Wangliang
X.XX $\pm 0.20$	X.XX $\pm 1^{\circ}$	CHKD: Zenglingqing
	UNITS: mm	DR: Steven

TITLE: 1.5 Pitch Wafer 90° SMT
PART NO.: A1506AWR-**-F4MB1-R
DWG NO.: JKUN-GCCP-0812
SCALE 1 : 1
SHEET 1 / 1