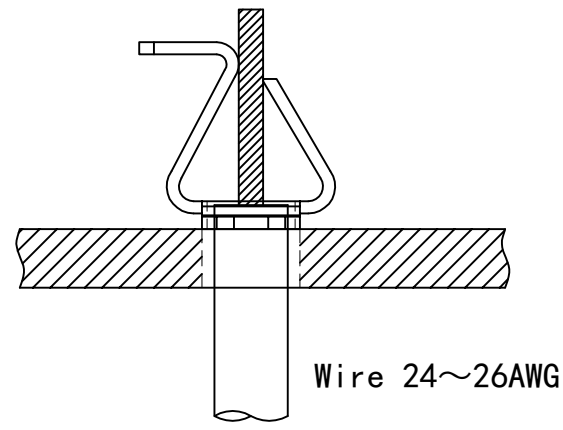


Board Layout



Assembly Layout

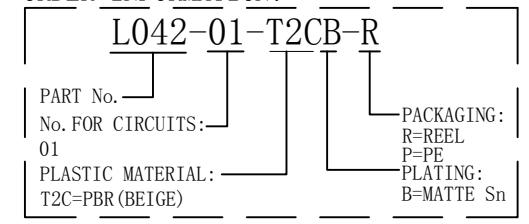
Wire 24~26AWG

REV	DESCRIPTION	DESIGN	DATE
A	Release	-	-
-	-	-	-

主要技术参数 Main Specifications

线 数 (Poles): 01  
 接触电阻 (Contact resistance):  $\leq 20m\Omega$   
 绝缘电阻 (Insulation resistance):  
 额定电压 (Rated voltage): 250 V AC DC  
 额定电流 (Rated current): 1.0A AC DC  
 耐 电压 (Withstand Voltage):  
 温度范围 (Temperature Range)

ORDER INFORMATION:



C				
B				
A	CONTACT	1 PCS	PhosphorBronze	MATTE Sn -plated
ITEM	COMPONENT	Q'TY	MATERIAL	FINISH
<b>JKUN 温州建坤接插件有限公司</b> WENZHOU JKUN CONNECTOR CO., LTD.				TITLE: -
X.±0.35	X.±	USE:	PART NO.:	
.X±0.25	.X±	MANUFACTURE	L042-01-T2CB-R	
.XX±0.15	.XX±	APPD: 邵敬和	DWG NO.:	
--	--	CHKD: 田峰	JKUN/GCCP-0070	
⊕	◁	UNITS: mm	DR: 蒋建银	SCALE: 1 : 1
				SHEET: 1 / 1