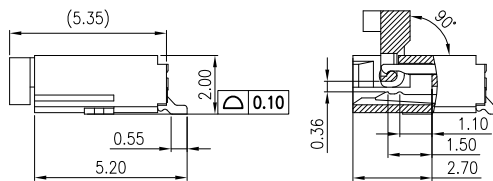
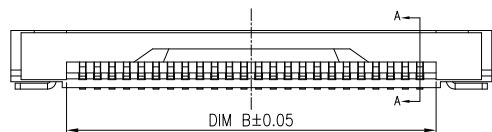
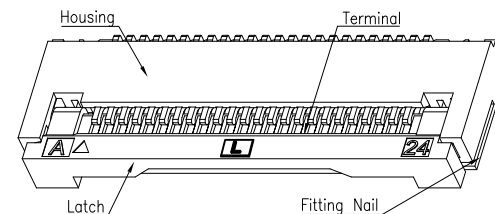
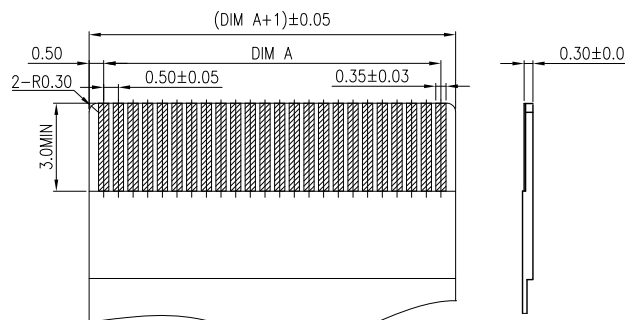


REV	DESCRIPTION	DESIGN	DATE
A	NEW RELEASE	Ryan	2021/06/18



SECTION A-A
SCALE 1:1

CKT	DIM A	DIM B	DIM C	CKT	DIM A	DIM B	DIM C
4	1.50	2.60	6.40	33	16.00	17.10	20.90
5	2.00	3.10	6.90	34	16.50	17.60	21.40
6	2.50	3.60	7.40	35	17.00	18.10	21.90
7	3.00	4.10	7.90	36	17.50	18.60	22.40
8	3.50	4.60	8.40	37	18.00	19.10	22.90
9	4.00	5.10	8.90	38	18.50	19.60	23.40
10	4.50	5.60	9.40	39	19.00	20.10	23.90
11	5.00	6.10	9.90	40	19.50	20.60	24.40
12	5.50	6.60	10.40	41	20.00	21.10	24.90
13	6.00	7.10	10.90	42	20.50	21.60	25.40
14	6.50	7.60	11.40	43	21.00	22.10	25.90
15	7.00	8.10	11.90	44	21.50	22.60	26.40
16	7.50	8.60	12.40	45	22.00	23.10	26.90
17	8.00	9.10	12.90	46	22.50	23.60	27.40
18	8.50	9.60	13.40	47	23.00	24.10	27.90
19	9.00	10.10	13.90	48	23.50	24.60	28.40
20	9.50	10.60	14.40	49	24.00	25.10	28.90
21	10.00	11.10	14.90	50	24.50	25.60	29.40
22	10.50	11.60	15.40	51	25.00	26.10	29.90
23	11.00	12.10	15.90	52	25.50	26.60	30.40
24	11.50	12.60	16.40	53	26.00	27.10	30.90
25	12.00	13.10	16.90	54	26.50	27.60	31.40
26	12.50	13.60	17.40	55	27.00	28.10	31.90
27	13.00	14.10	17.90	56	27.50	28.60	32.40
28	13.50	14.60	18.40	57	28.00	29.10	32.90
29	14.00	15.10	18.90	58	28.50	29.60	33.40
30	14.50	15.60	19.40	59	29.00	30.10	33.90
31	15.00	16.10	19.90	60	29.50	30.60	34.40
32	15.50	16.60	20.40				



FFC/FPC

Specifications:

Housing:High temperature plastic UL94V-0;Color:natural
 Latch:High temperature plastic UL94V-0;Color:black
 Terminal:Copper alloy, Matte Tin/Gold
 Fitting Nail:Copper alloy, Matte Tin
 Product must comply HF RoHS specification
 Contact resistance:≤30mΩ
 Insulation resistance:≥100MΩ
 Rated voltage:50V AC/DC
 Rated current:0.5A AC/DC
 Withstand Voltage:250V AC/minute
 Temperature Range:-25°C~+85°C

ORDER INFORMATION:

F0503AWR-**-F4M*1-*
 PART No. _____
 No.OF CIRCUITS: _____
 4~60
 PLASTIC MATERIAL: _____
 F4M=LCP(Natural)
 PACKAGING:
 R=REEL G=TUBE
 Metal code:
 1=Phosphor Bronze
 PLATING:
 B=Matte Tin
 C=Gold

JKUN 温州健坤接插件有限公司
 WENZHOU JKUN CONNECTOR CO.,LTD.

GENERAL TOLERANCE	
X.X ±0.15	X. ±5'
X.XX ±0.10	X.X ±2'
X.XXX ±0.05	X.XX ±1'
UNITS: mm	

USE: CUSTOMER
 APPD: Shaojinghe
 CHKD: Shaojinghe
 DR: Ryan

TITLE:
 FPC Pitch0.5 H2.0 Front-Flip CONN. SMT Type

PART NO.:
 F0503AWR-**-F4M*1-*
 DWG NO.:
 JKUN-GCKH-
 SCALE: 1 : 1
 SHEET: 1 / 1