

| REV | DESCRIPTION | DESIGN | DATE |
|-----|-------------|--------|------------|
| A0 | Release | 蒋建银 | 2018.01.20 |

| Circuits | Dimensions (mm) | | | Circuits | Dimensions (mm) | | |
|----------|-----------------|--------|--------|----------|-----------------|--------|--------|
| | DIM. A | DIM. B | DIM. C | | DIM. A | DIM. B | DIM. C |
| 02 | 2.50 | 5.50 | 11.50 | 08 | 17.50 | 20.50 | 26.50 |
| 03 | 5.00 | 8.00 | 14.00 | 09 | 20.00 | 23.00 | 29.00 |
| 04 | 7.50 | 10.50 | 16.50 | 10 | 22.50 | 25.50 | 31.50 |
| 05 | 10.00 | 13.00 | 19.00 | 11 | 25.00 | 28.10 | 34.00 |
| 06 | 12.50 | 15.50 | 21.50 | 12 | 27.50 | 30.60 | 36.50 |
| 07 | 15.00 | 18.00 | 24.00 | | | | |

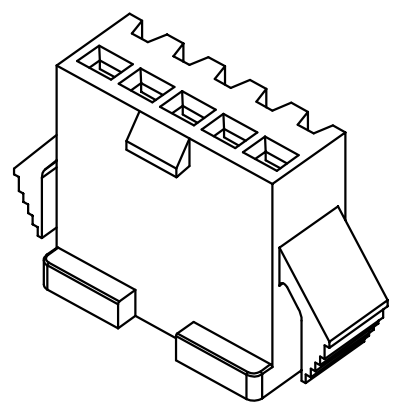
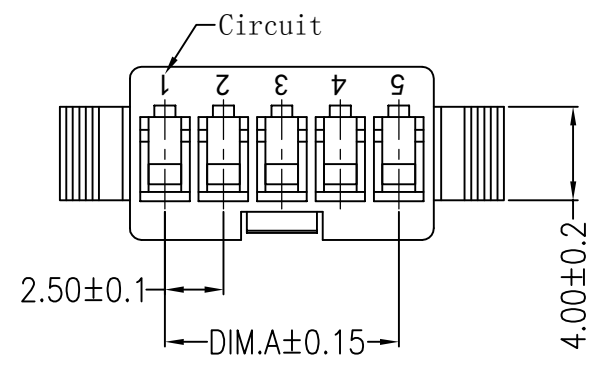
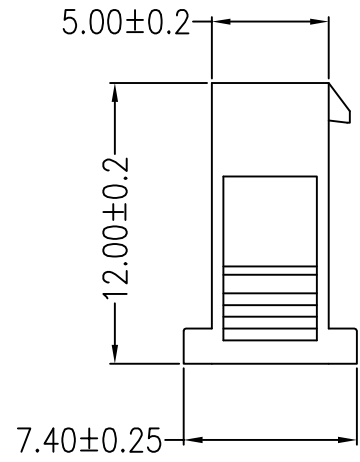
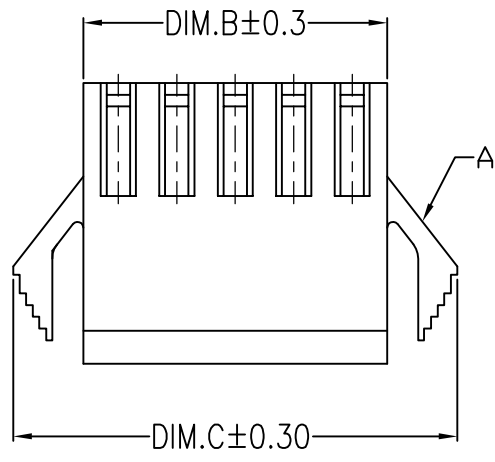
主要技术参数 Main Specifications

线数 (Poles): 02 to 12P
 接触电阻 (Contact resistance): $\leq 20m\Omega$
 绝缘电阻 (Insulation resistance): $\geq 500M\Omega$
 额定电压 (Rated voltage): 250 V AC DC
 额定电流 (Rated current): 3.0A AC DC
 耐电压 (Withstand Voltage): 1500V AC/minute
 温度范围 (Temperature Range): $-25^{\circ}C \sim +85^{\circ}C$

ORDER INFORMATION:

C2501P--***-P**

| | | | |
|------------------|-------|-------------------|--------------------------------------|
| PART No.: | | PACKAGING: | P=PE |
| No. OF CIRCUITS: | 02~12 | PLASTIC MATERIAL: | A5W=PA66 (White) A5K=PA66 (Black) |



| ITEM | COMPONENT | Q'TY | MATERIAL | FINISH |
|--|-----------|---------------------------|----------|--------------|
| C | | | | |
| B | | | | |
| A | PEDESTAL | 1 PCS | PA66 | |
| JKUN 温州健坤接插件有限公司 WENZHOU JKUN CONNECTOR CO., LTD. | | | | |
| X.±0.5 | X.±5' | USE: | CUSTOMER | |
| .X±0.3 | .X±2' | APPD: | 邵敬和 | |
| .XX±0.25 | .XX±1' | CHKD: | 田峰 | |
| -- | -- | DR: | 蒋建银 | |
| UNITS: mm | | TITLE: - | | |
| | | PART NO.: C2501P-**-***-P | | |
| | | DWG NO.: JKUN/GCCP-0598 | | |
| | | SCALE: 1 : 1 | | SHEET: 1 / 1 |