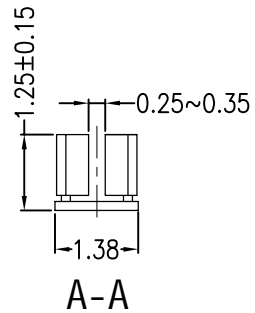
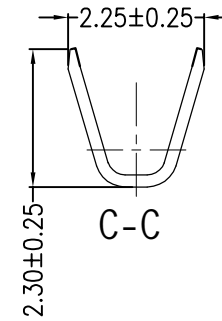
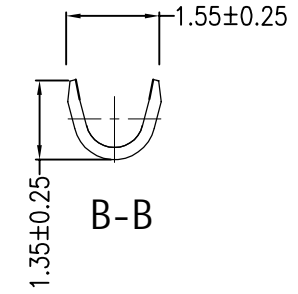
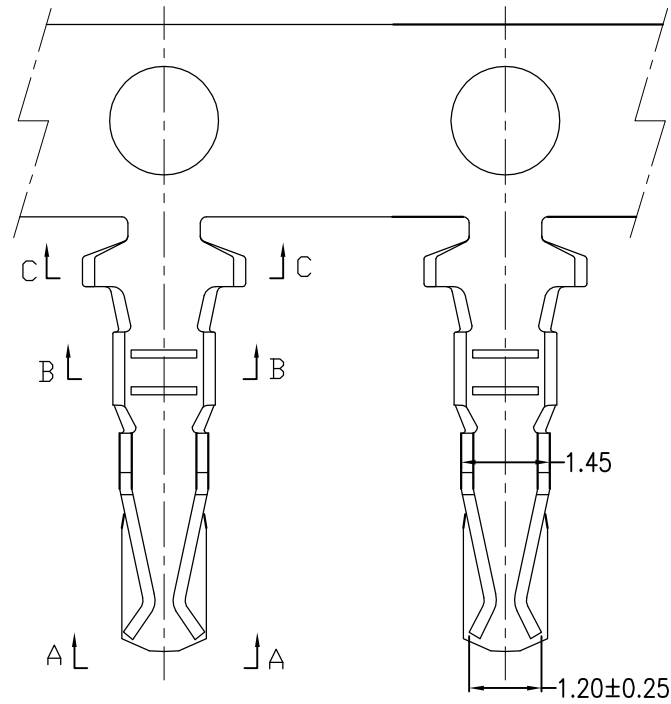
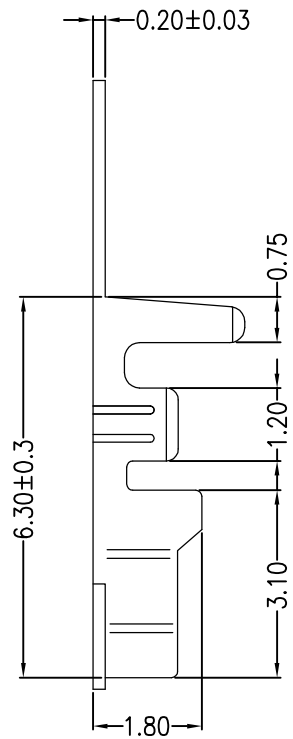


REV	ECN No.	DESCRIPTION	DESIGN	DATE
AO		Release	吴丹平	2015.07.01



### Ordering Information & Specification:

Part No	Wire Range	Insulation O.D.	Material	Finish	Qty/Reel
A2002T-PA	AWG #22~#30	1.60mm(max)	Phosphor bronze	Tin-plated	
JKUN 温州健坤接插件有限公司 WENZHOU JKUN CONNECTOR CO., LTD.			TITLE: A2002 端子		
X.±0.5	X.±5'	USE: CUSTOMER	PART NO.:		
.X±0.3	.X±2'	APPD: 邵敬和	A2002T		
.XX±0.25	.XX±1'	CHKD: 田峰	DWG NO.:		
--	--	DR: 吴丹平	JKUN/GCDZ-0005		
UNITS: mm		SCALE: 1:1	SHEET: 1/1		