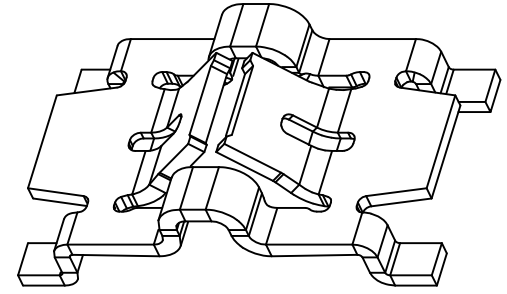
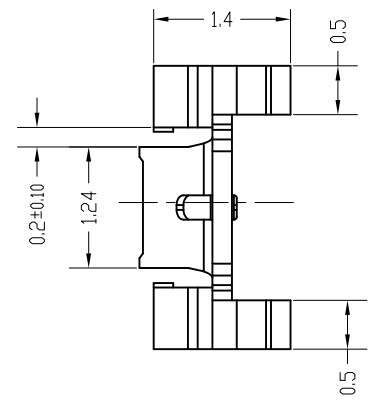
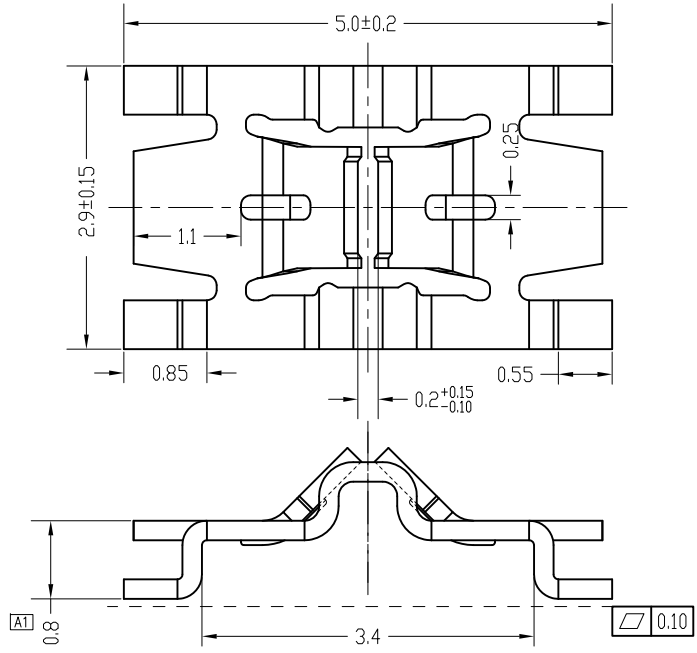
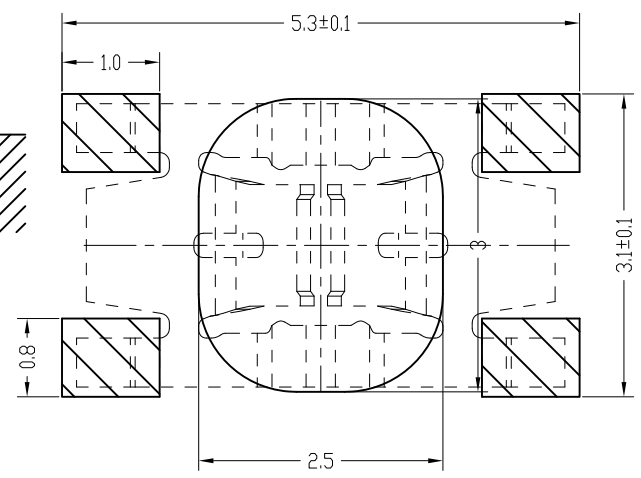
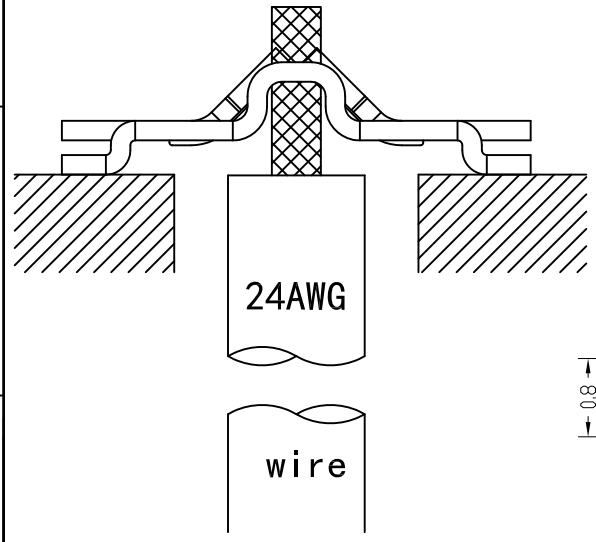


REV	DESCRIPTION	DESIGN	DATE
A0	NEW RELEASE	wdp	2017/07/05
A1	Modify 0.55 to 0.8	sjh	2017/11/28
AX1	New stamping tool	lzl	2019/05/29

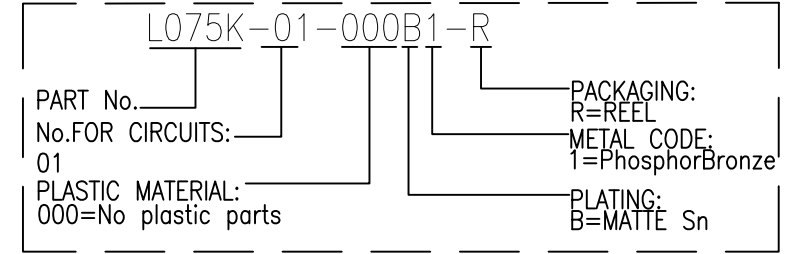


**Specifications:**  
 Poles: 01  
 Contact resistance: ≤30mΩ  
 Rated voltage: 250V AC DC  
 Rated current: 1.0A AC DC  
 Temperature Range: -40°C ~ +125°C



**Board Layout**

**ORDER INFORMATION:**



<b>JKUN</b> 温州健坤接插件有限公司 WENZHOU JKUN CONNECTOR CO.,LTD.		TITLE: LED BULB CONNECTOR	
GENERAL TOLERANCE		USE: CUSTOMER	PART NO.:
X. ±0.50	X. ±5°	APPD: 王亮	L075K-01-000B1-R
X.X ±0.30	X.X ±2°	CHKD: 刘振岭	DWG NO.:
X.XX ±0.20	X.XX ±1°	DR: 蒋建银	JKUN-GCCP-1007
UNITS: mm		SCALE 1 : 1	SHEET 1 / 1